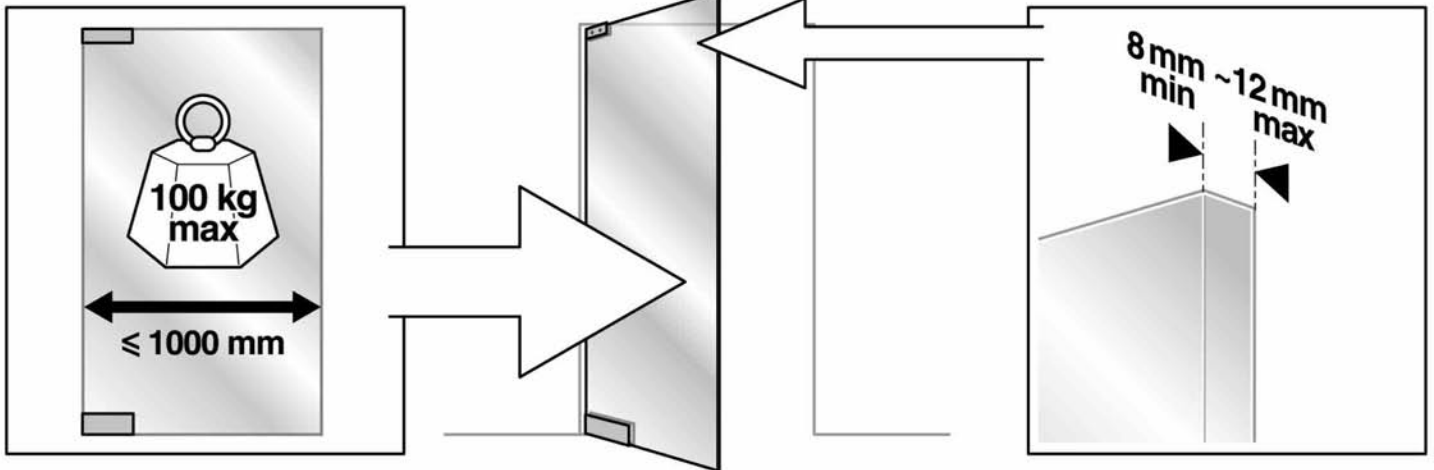


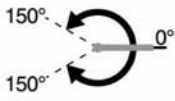
PIVOT B-TWIST

VERY IMPORTANT : Please read this whole manual BEFORE starting assembly



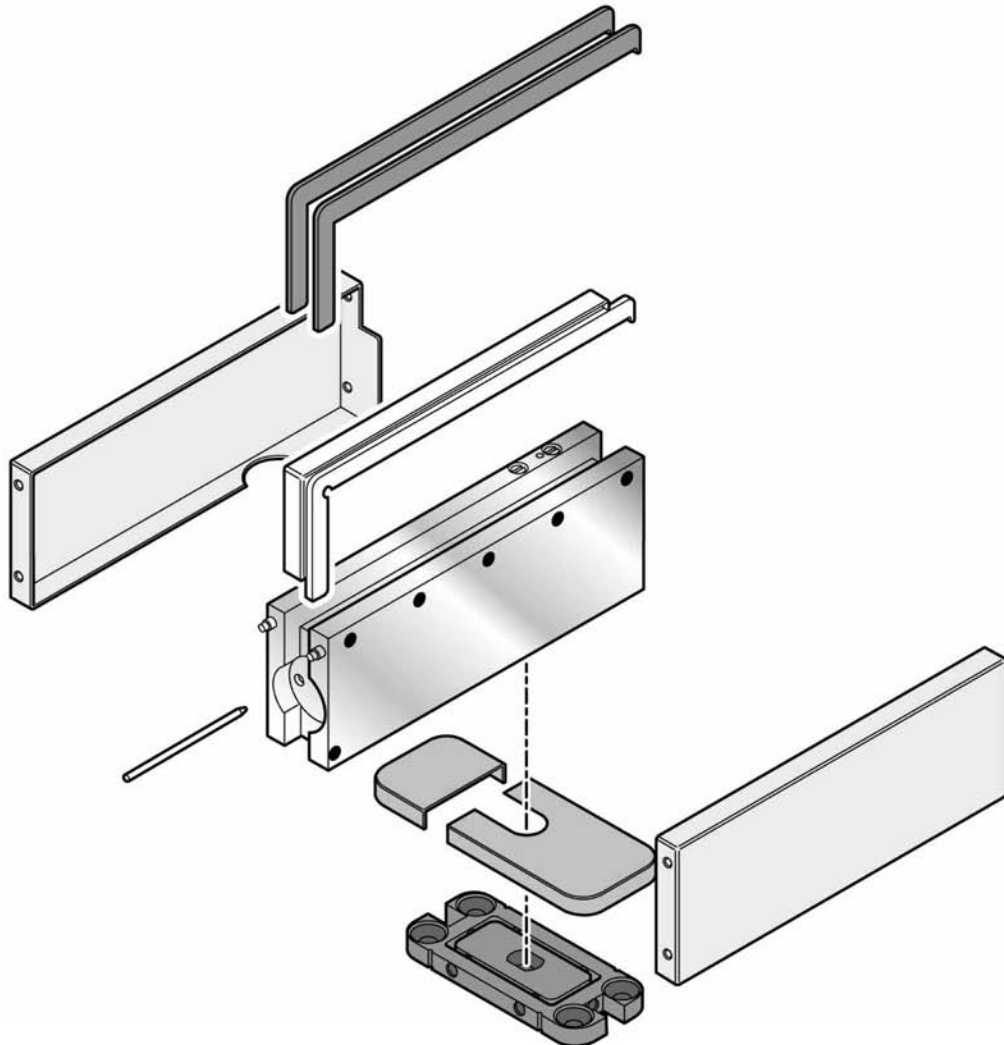
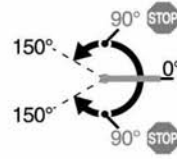
SN313468

F3

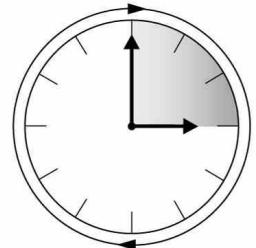
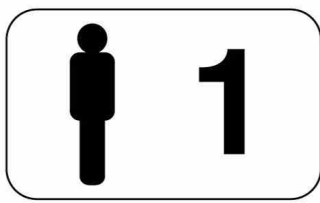


SN313469

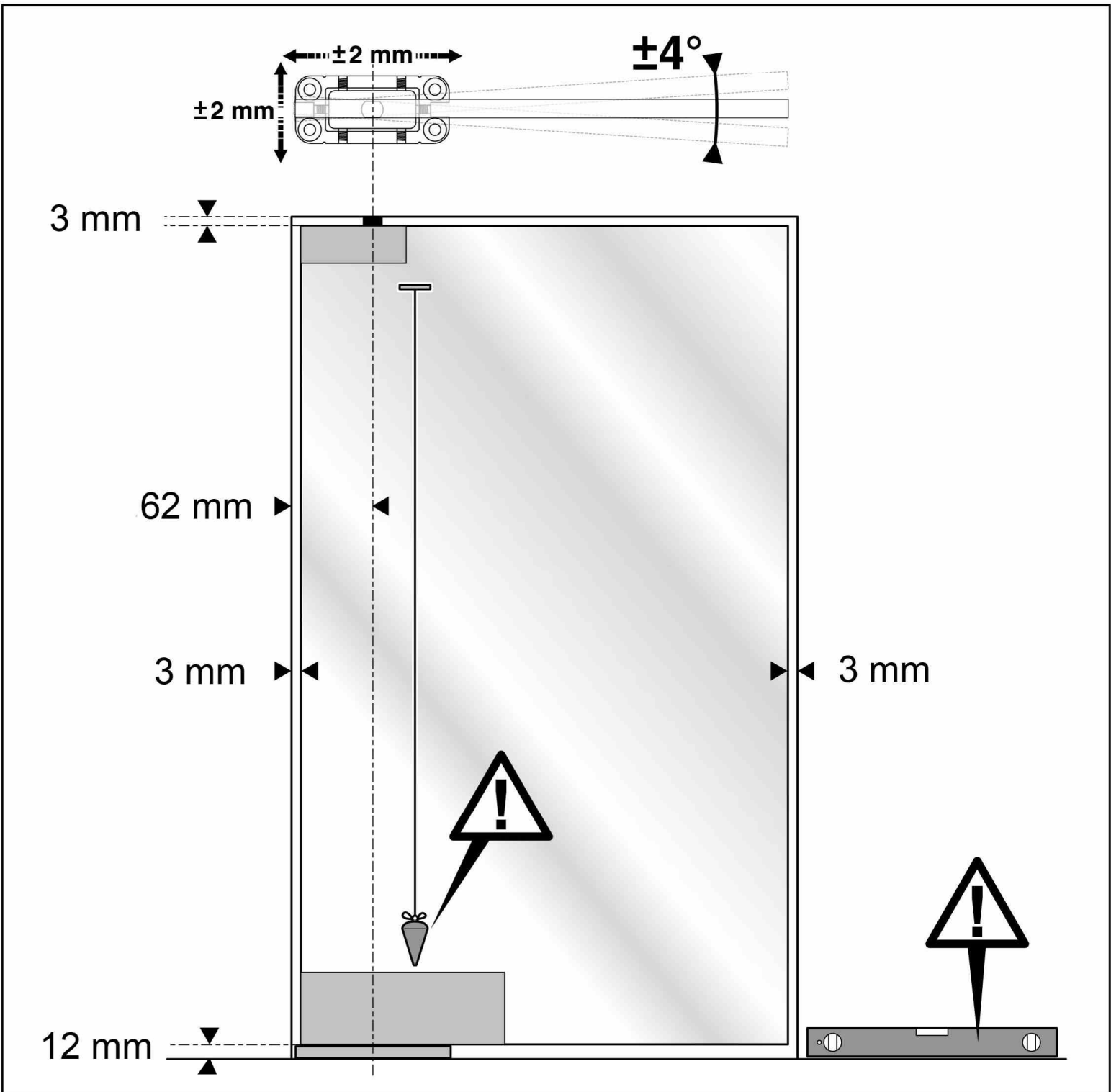
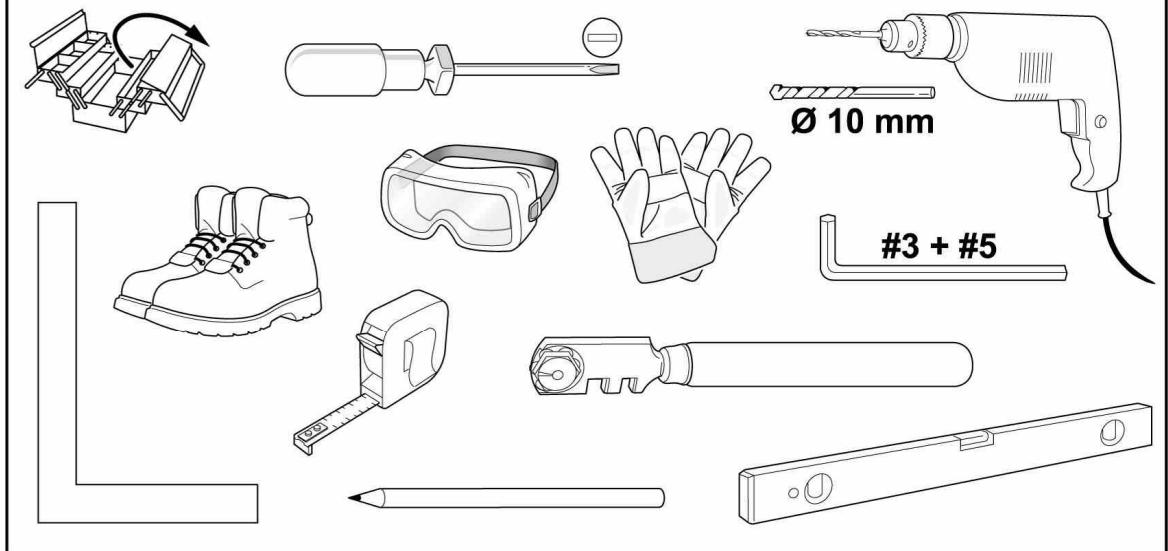
F3

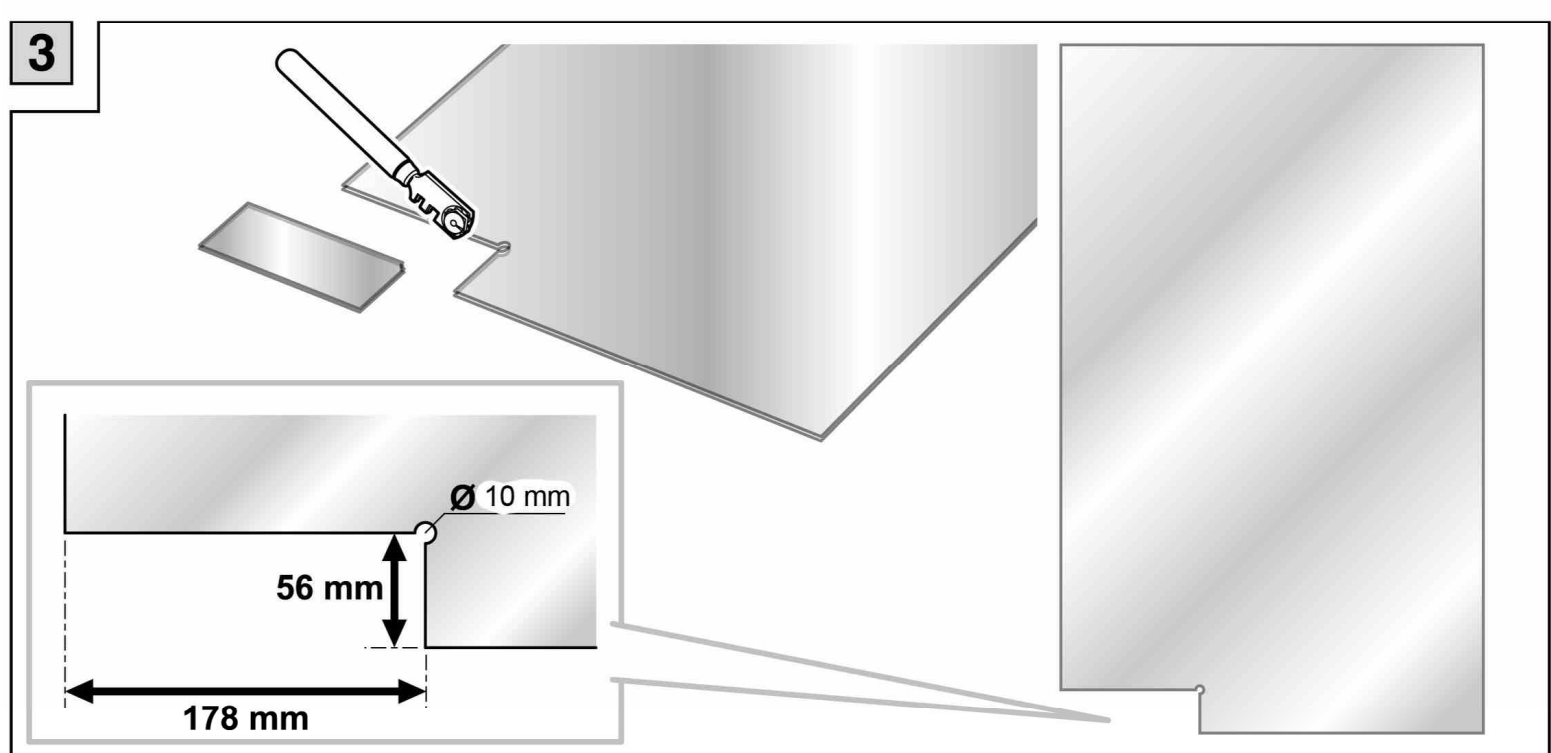
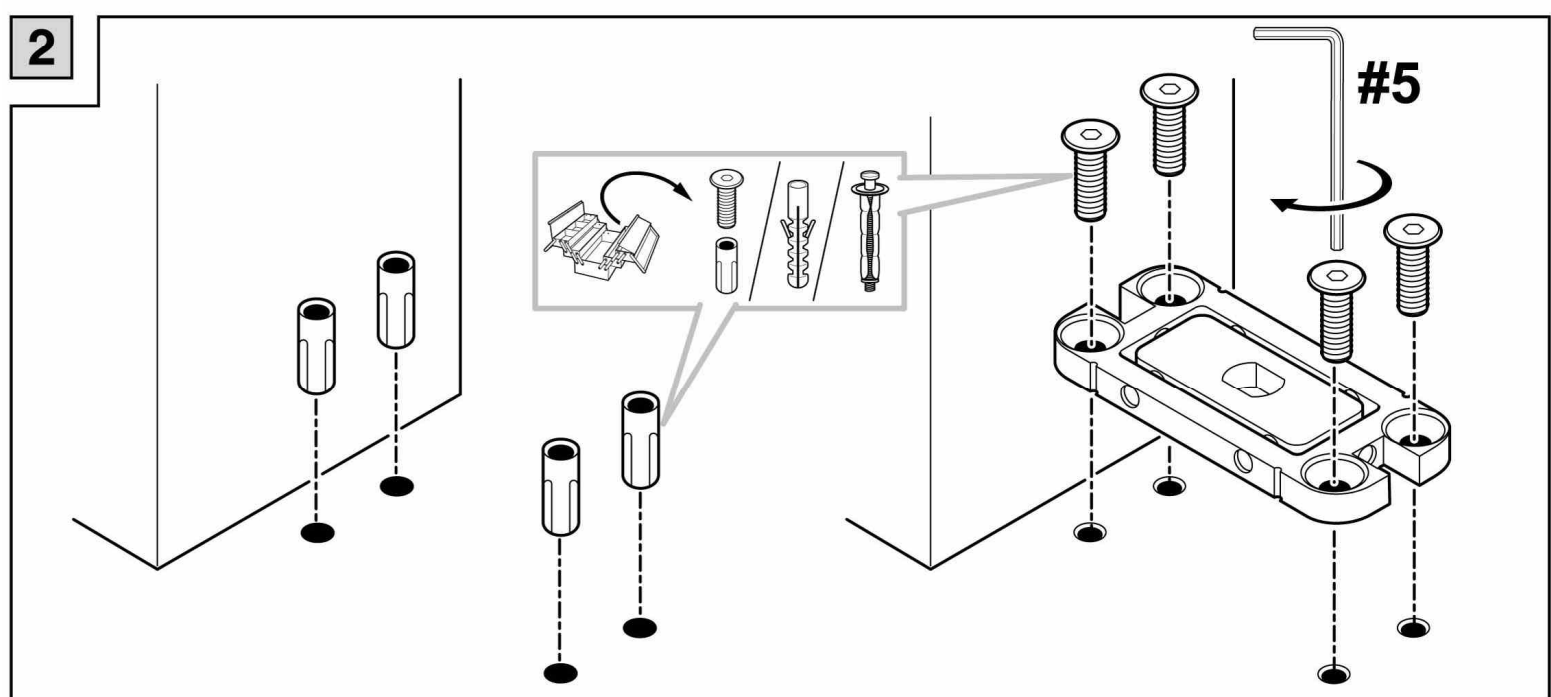
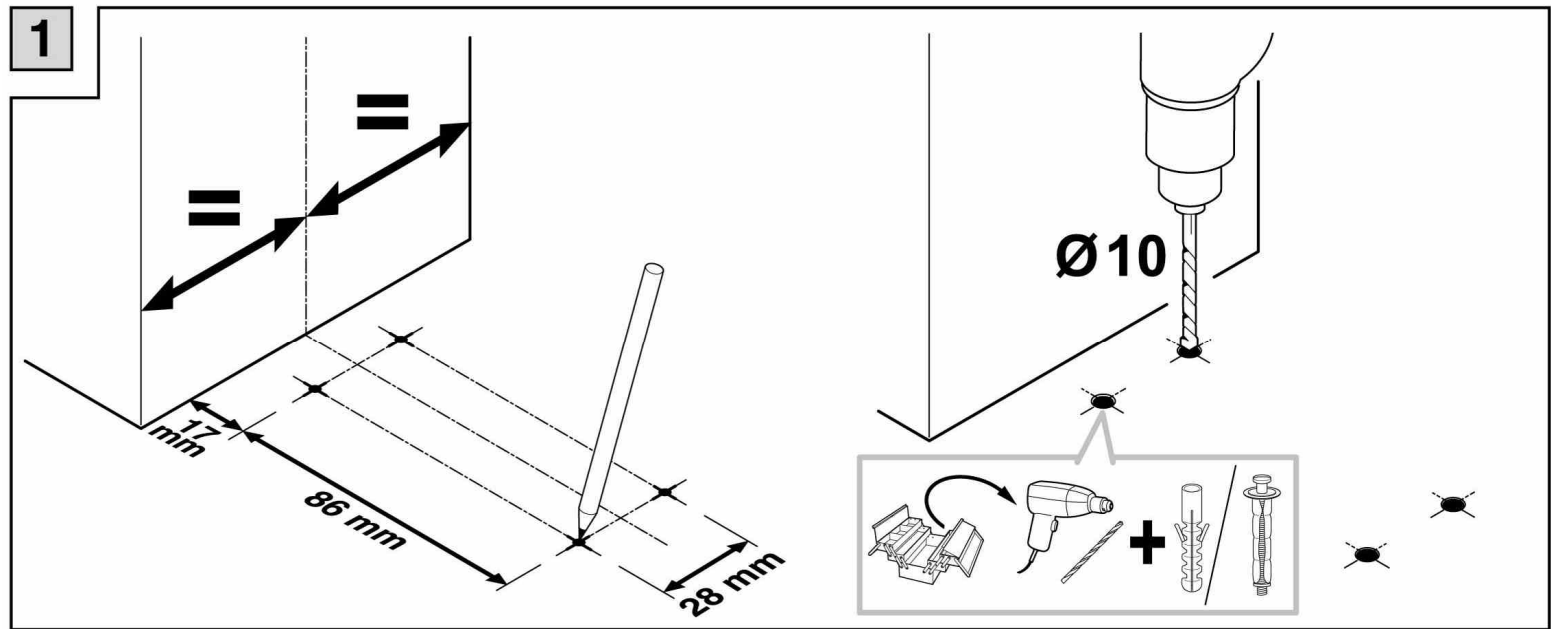


Référence : ZD313465 indice A - AVR 2013

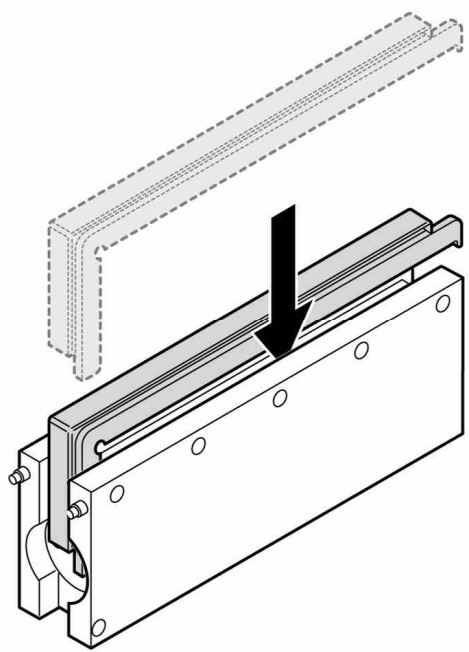


3 h

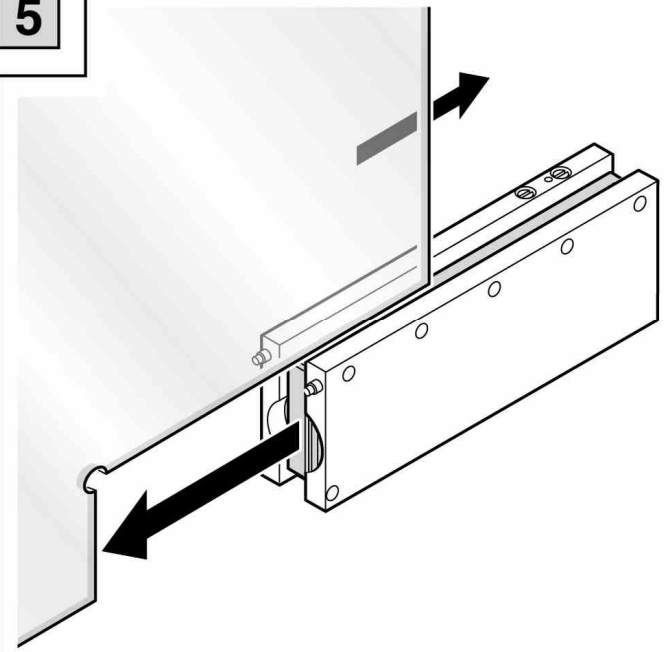




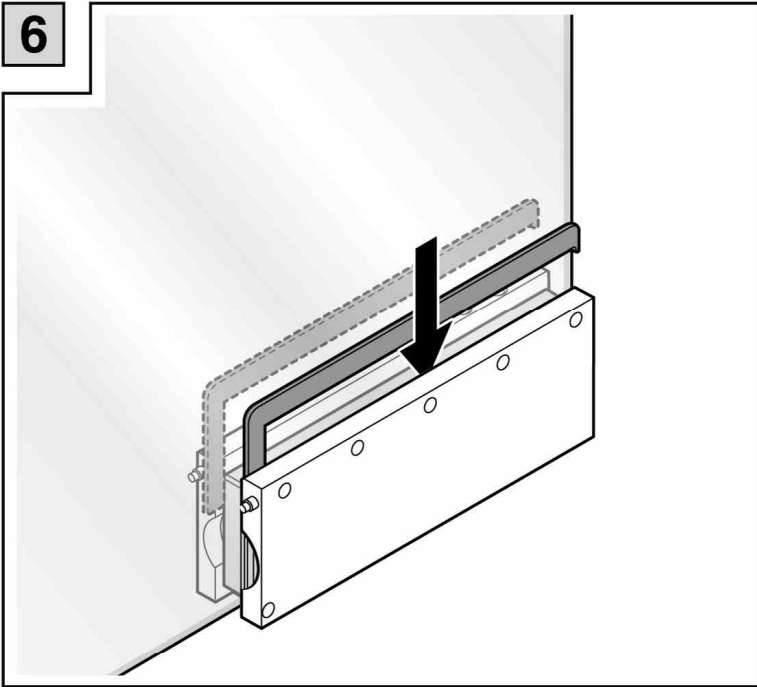
4



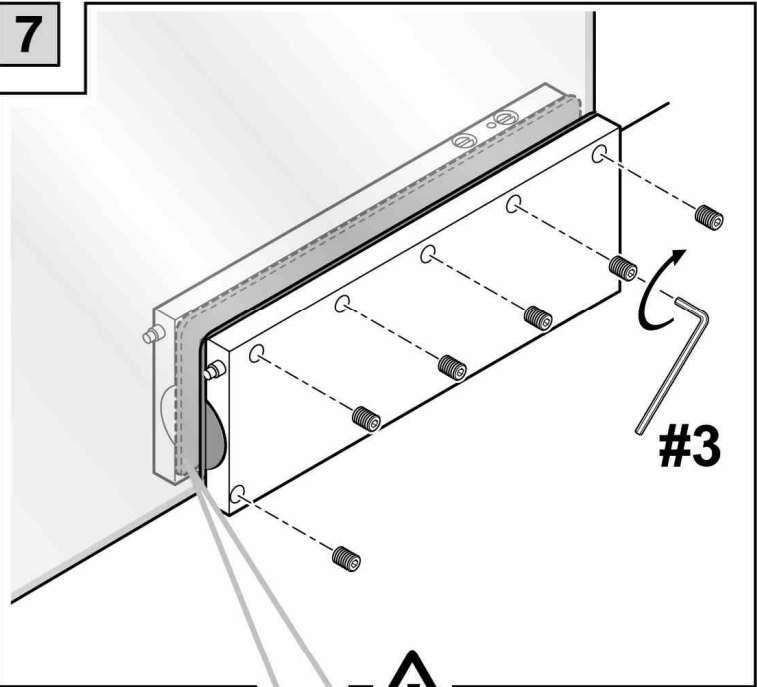
5



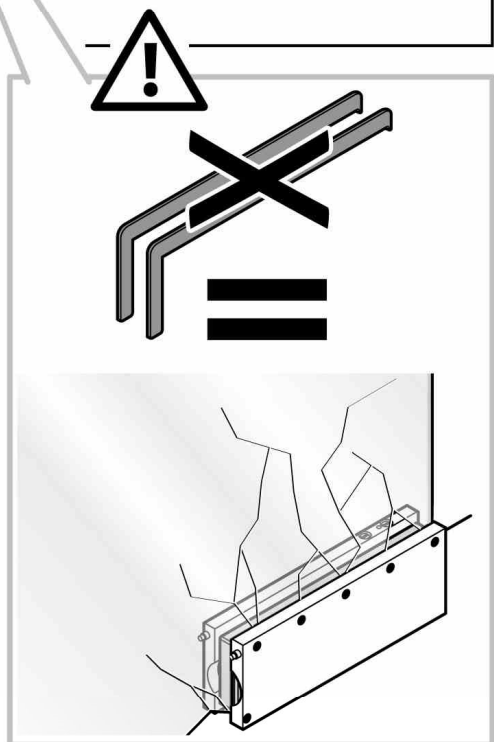
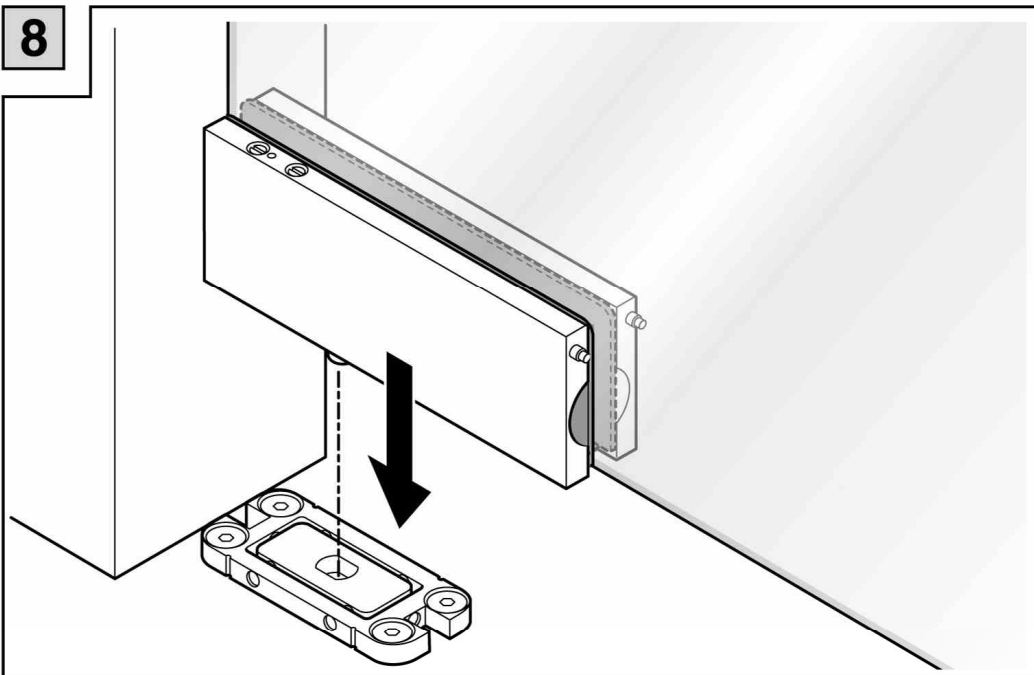
6

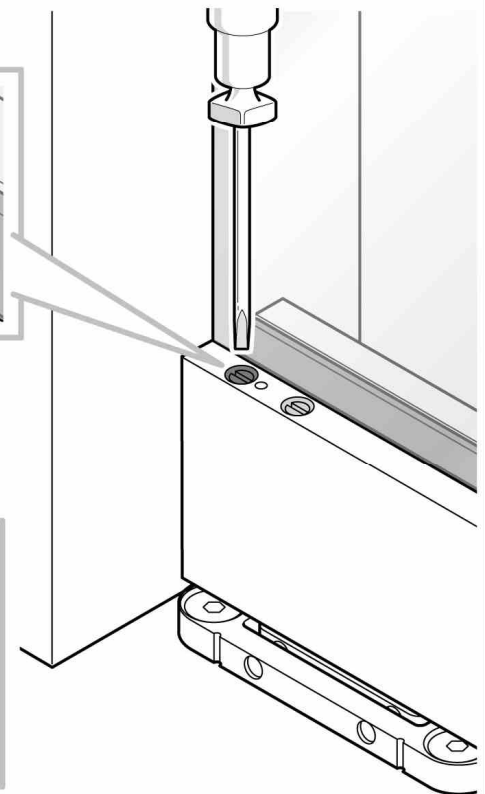
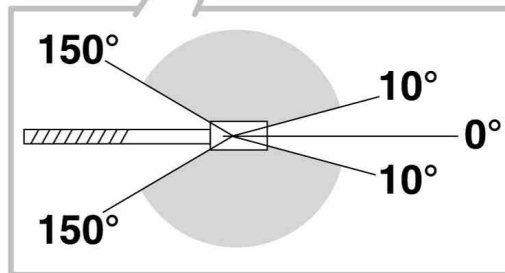
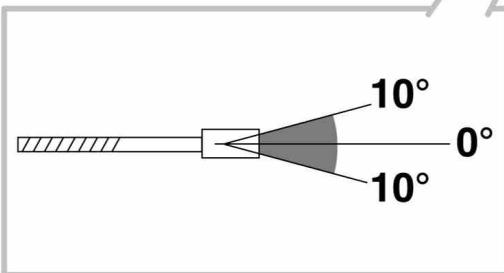
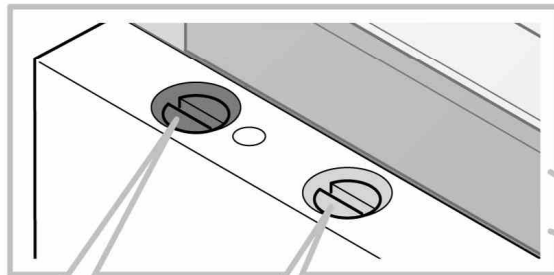
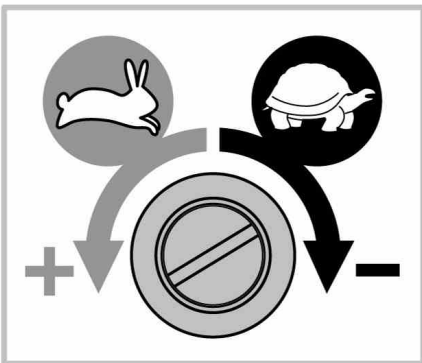
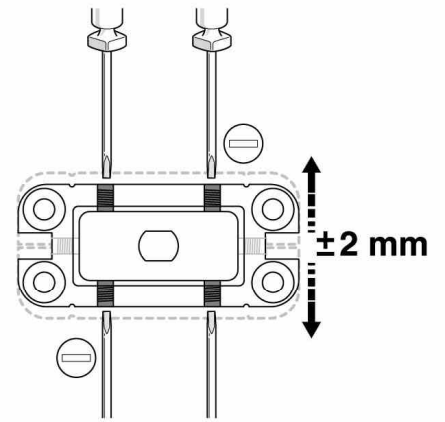
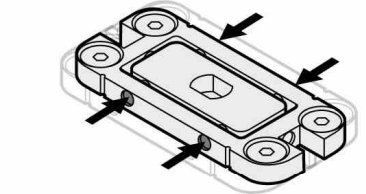
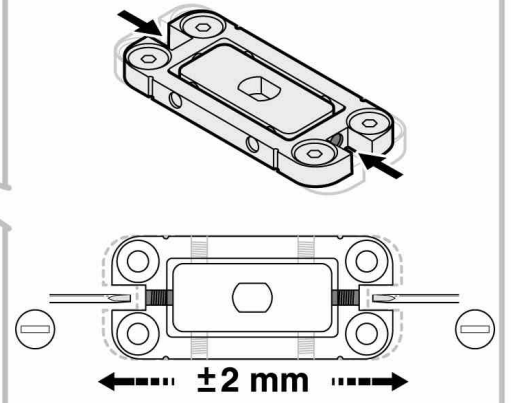
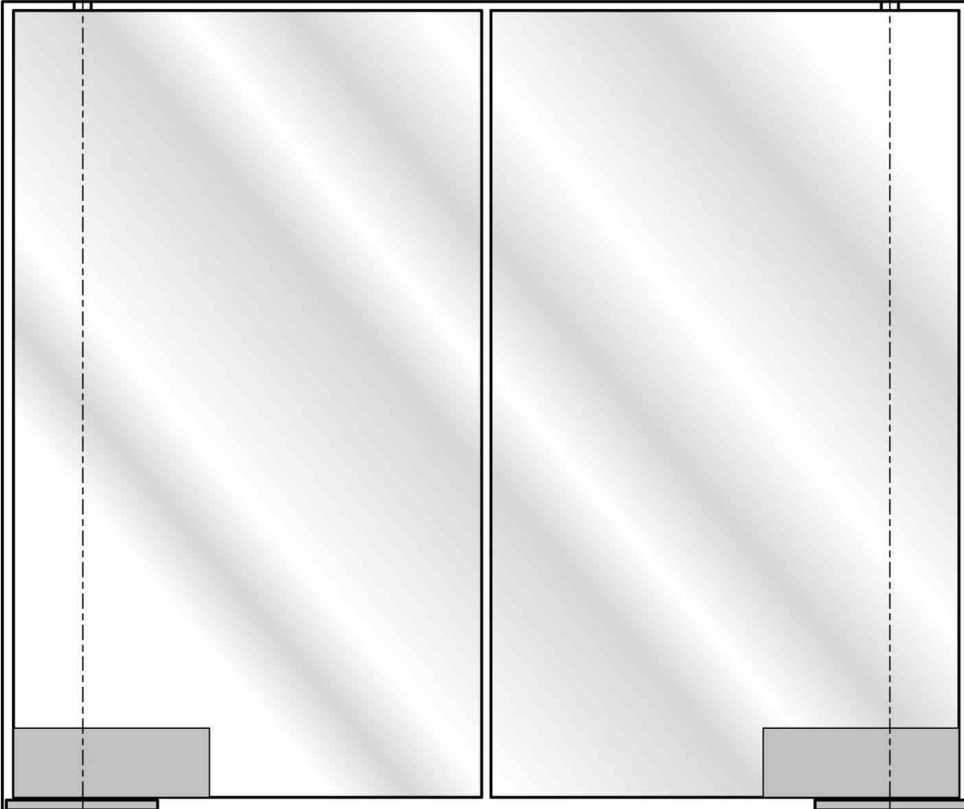
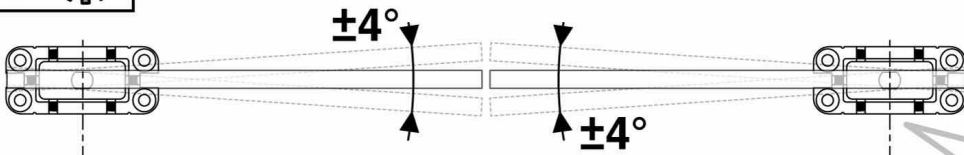
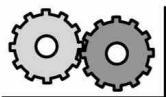


7

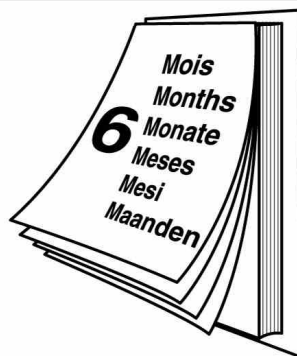
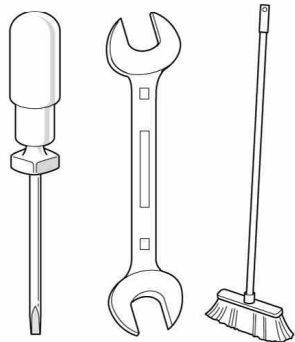
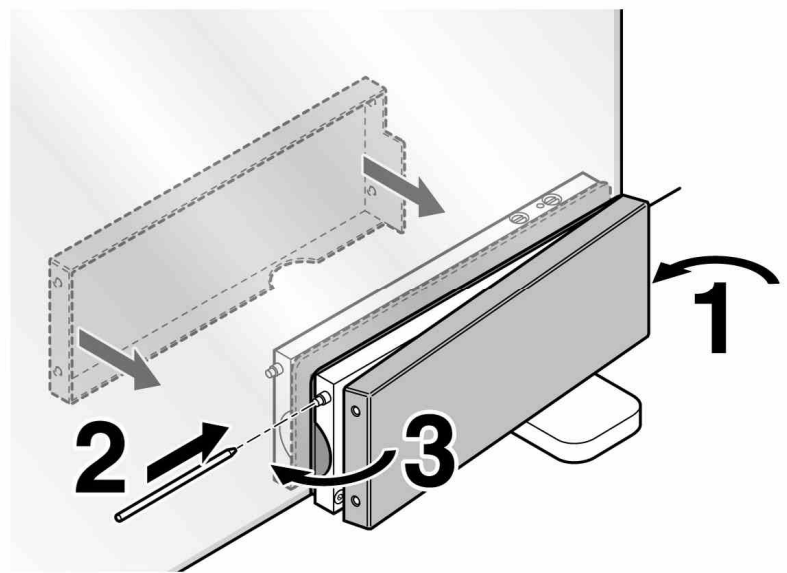
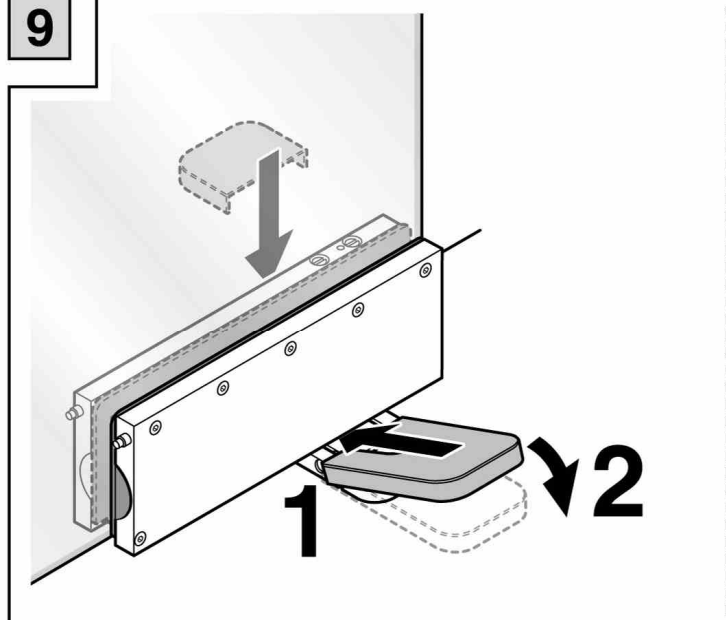


8





9



WARRANTY

- SEVAX guarantees the product against any latent defect that might appear upon implementation
- Our guarantee expires at the end of a 24 month period following the date of manufacture, or at the end of a 12 month period following the recognized date when the products were implemented.
- Should a latent defect be suspected the customer must inform the retailer straight away so that a contradictory investigation can be carried out to determine whether the latent defect is attributable to SEVAX.
- This guarantee only concerns the replacement of the product, it does not cover labour or shipment costs. It applies in the case of normal use.
- SEVAX will take no responsibility if the product has been modified, or if the product has been set in a different way from what is recommended by our outstanding procedures, or if it is being used in a different way from what it was designed for as described in our documents, or if the defect found results from an incompatibility between our product and components from a different source. Our guarantee does not extend either to defects or damage resulting from normal wear, accidents, or a modification on the product not recommended by SEVAX.

sevax

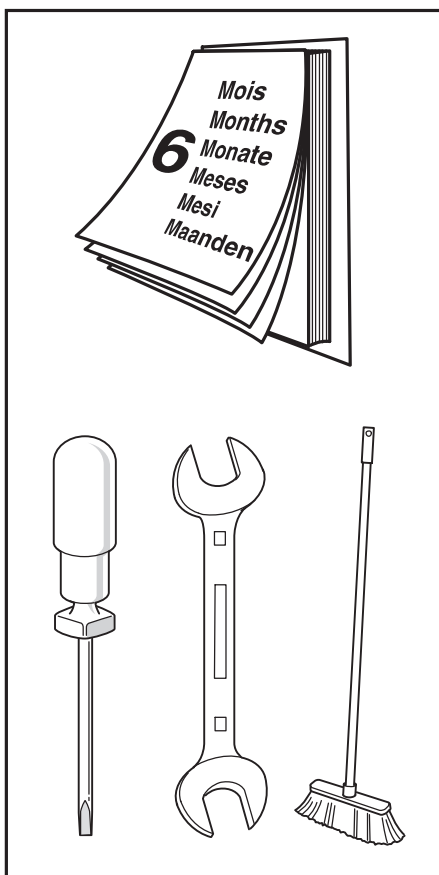
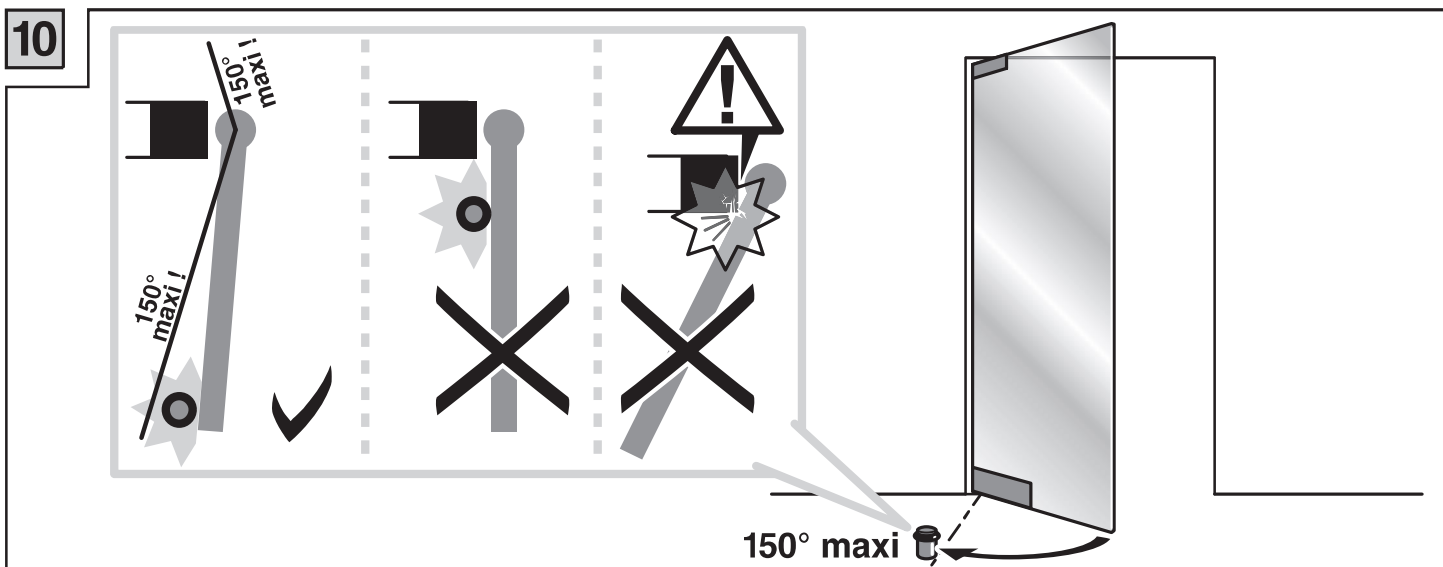
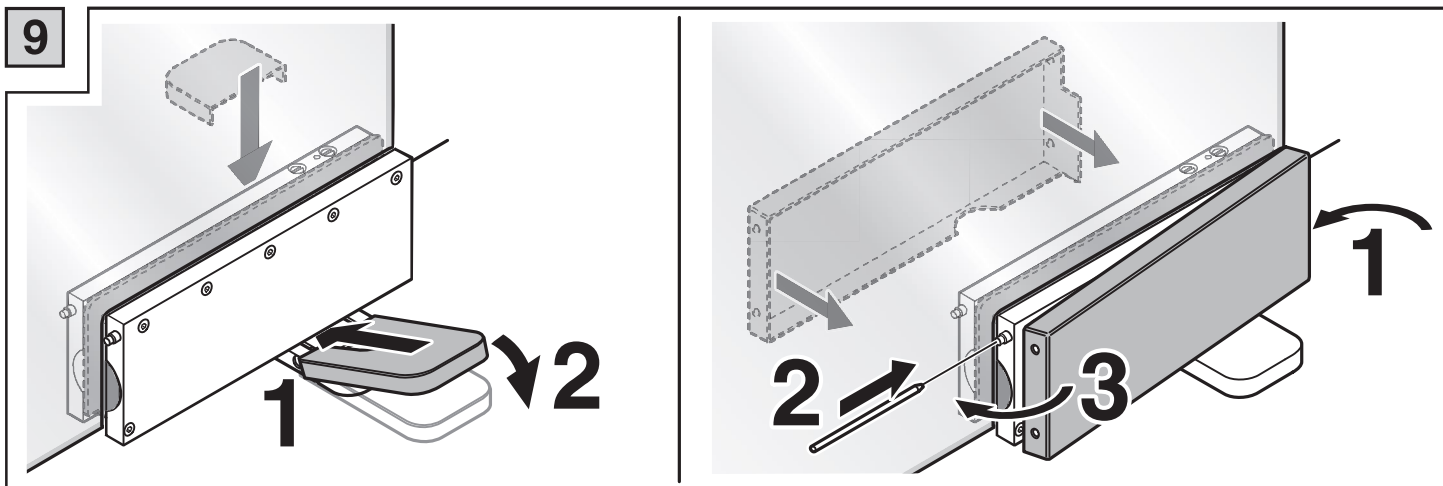
SAINT-GOBAIN

www.sevax.com

SAINT-GOBAIN

SEVA

CRIESPA SEGURIDAD S.L.
 Pol.Alborán
 C/ Mar Adriático 28
 18613 Motril (Granada)
 Tef.958831600-958831576
 Fax 958831551
www.criespa.com
info@criespa.com

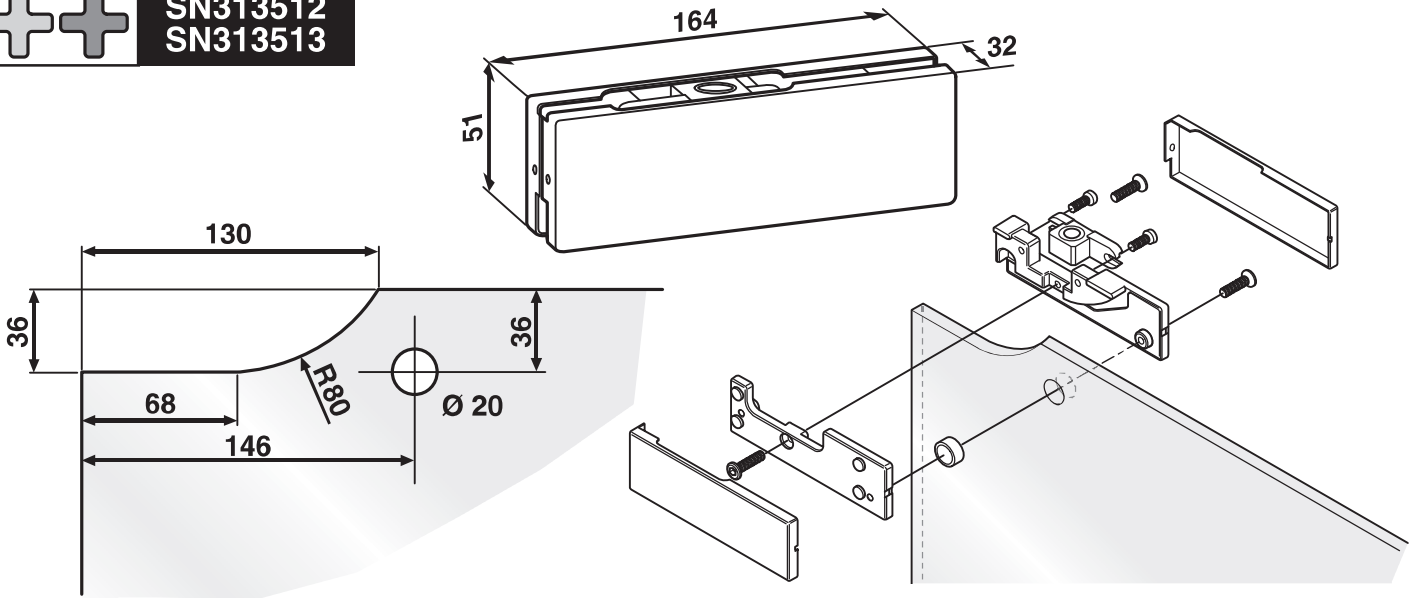


++ OPTIONS

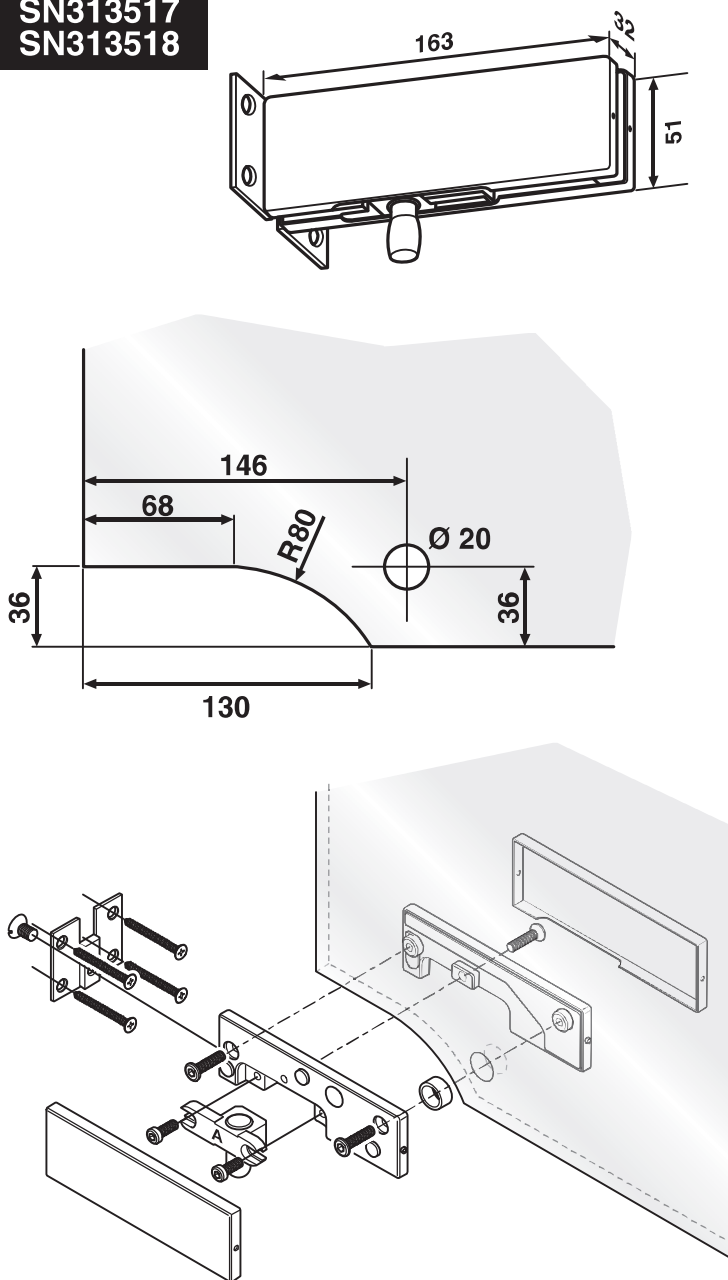
		Poli <i>Polished</i> <i>Brillo</i> <i>Poliert</i>	Brossé <i>Brushed</i> <i>Mate</i> <i>Gebürstet</i>
Charnière hydraulique B-TWIST <i>Hydraulic hinge B-TWIST</i> <i>Bisagra hidráulica B-TWIST</i> <i>Hydraulische Schamier B-TWIST</i>	Sans arrêt <i>No stop</i> <i>Sin retención</i> <i>Ohne Haltestellung</i>	SN313495	SN313500
	Arrêt 90° <i>Stop 90°</i> <i>Retención 90°</i> <i>Haltestellung 90°</i>	SN313496	SN313501
Penture supérieure <i>Top patch</i> <i>Herraje superior</i> <i>Oberer Eckbeschlag</i>		SN313512	SN313513
Fixation raccordement au mur (avec platine murale) <i>Overpanel patch (with fixing plate)</i> <i>Fijación de empalme a la pared (con placa de fijación)</i> <i>Oberlichtbeschlag (mit Befestigungsglasche)</i>		SN313517	SN313518
Raccordement imposte-dormant <i>Patch for over panel and side panel</i> <i>Eje de rotación a travesaño</i> <i>Winkeloberlicht-beschlag</i>		SN313522	SN313523
Axe de rotation supérieure <i>Upper rotary axis</i> <i>Eje de rotación superior</i> <i>Obere Drehachse</i>		SN313526	SN313527



SN313512
SN313513



SN313517
SN313518



SN313522
SN313523

